



resi® OPEP device

- Respiratory therapy device
- For mobilization of sticky, viscous bronchial mucus
- E.g. patients with chronic bronchitis, COPD, bronchial asthma, pulmonary emphysema, bronchiectasis or cystic fibrosis



✓ CE marked

✓ MDR compliant

✓ Reusable

✓ Swiss manufacturer

✓ Made in Germany

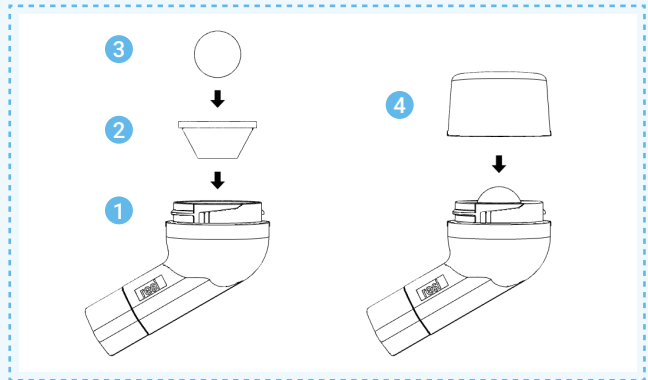
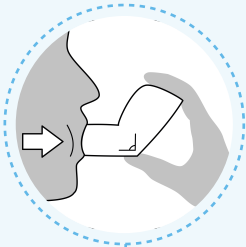
Manufacturer:

Anel AG, Weyermannsstrasse 12, 3008 Bern, Switzerland

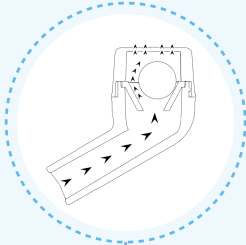
Tel 0041 31 333 26 35 | www.anelmed.ch



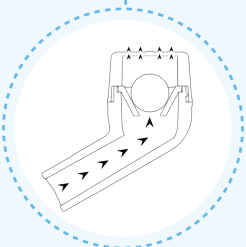
Working mechanism



1 2 4 Three parts of the resi® OPEP device 3 metal ball



When the patient exhales, a positive expiratory pressure (PEP) is created in the device and the airways. The PEP prevents the airway from collapsing and rises until it is large enough to move the steel ball so that it rolls up the wall of the funnel.



When exhaling, vibrations are created which increase the pressure in the bronchial tubes - right down to the deepest branches - and cause the exhaled air to vibrate so that the mucus is loosened from the bronchial walls and can be better transported away towards the mouth. This movement clears the way through the funnel and allows the pressure or air to escape. The ball then falls back and closes the opening in the funnel again. This results in a renewed pressure build-up in the device.

Manufacturer:

Anel AG, Weyermannsstrasse 12, 3008 Bern, Switzerland

Tel 0041 31 333 26 35 | www.anelmed.ch

