

1 INTENDED USE OF THE KATADYN BEFREE™

Congratulations on your purchase of the Katadyn Gravity BeFree™ 3.0L (hereinafter referred to as Katadyn BeFree™). When used properly in accordance with the instructions provided in this manual, this product is designed to reduce the levels of bacteria and protozoan cysts commonly found in fresh water sources to make it safer for drinking. It meets the U.S. Environmental Protection Agency's microbiological water purifier standards for reduction of bacteria (99.999% Klebsiella terrigena) and protozoan cysts (99.9% Giardia and Cryptosporidium). It is for hiking, camping in the wilderness or traveling in areas where treated water is unavailable.

Water definitions as used in this manual
 Fresh water = Untreated water (Lakes, Rivers, Streams, etc.)
 Filtered fresh water = Potable drinking water
 Treated water = Treated tap water or chemically disinfected water, or boiled disinfected water

7 PERFORMANCE TIPS

To extend the life of your EZ-Clean Membrane™, always use the best available fresh water source. Avoid still water or water in areas of heavy human or animal use.

Filter Integrity Test
 If you suspect that your Katadyn BeFree™ may have been damaged in some way, you can perform this quick and easy integrity test in the field. Squeeze fresh water through the Katadyn BeFree™ Membrane™.

1. Squeeze fresh water through the Katadyn BeFree™
2. Try to blow air - using your mouth - through the output hose into the Hydrapak® Softflask™. Hydrapak® Softflask™ -> cannot blow through filter = fiber ok -> can blow through filter = fiber broken

Stop: DO NOT USE FILTER! Replace EZ-Clean Membrane™ Storage)

3. Clean output hose after integrity test according to section 8 (Long Term Storage)

Maintain your Katadyn BeFree™ to keep it operating properly.

- A) If the Katadyn BeFree™ leaks near the cap Unscrew the filter and screw it back on. Make sure that you position the filter straight on the thread of the Hydrapak® Softflask™ and tighten it firmly.
- B) If the Katadyn BeFree™ is dropped hard, check the hollow fibers visually and perform the filter integrity test to make sure the fibers are ok.



IMPORTANT: Do not touch the hollow fibers with a tool or with your fingers. (See WARNING section)

7 PERFORMANCE TIPS (CONTINUED)

Check Output Hose: Ensure on/off output hose valve is in the wide open position, not pinching the hose whatsoever. Ensure output hose quick connect is securely connected to the quick connect on the filter cap or water will not flow into output hose.

Clogged Outlet Valve: Unscrew the filter cap counterclockwise from the EZ-Clean Membrane™. Swish filter cap in filtered/treated water to remove any sediment from connection. Add the output hose and flush the filter cap and the hose with filtered/treated water. If clean water is unavailable, flush the system with the first liter of treated water when you start filtering water again.

Clean EZ-Clean Membrane™: Use ONE of the EZ Clean steps (Shake, Swish) printed on the outside of the Hydrapak® Softflask™.

Shake  **Swish** 

Shake Fill the Hydrapak® Softflask™ with fresh water & shake to easily clean the EZ-Clean Membrane™ in the field

Swish Remove the filter and swish in any fresh water source to clean in the field (Note: DO NOT allow the filter cap and top of the filter to contact contaminated water sources).

7 PERFORMANCE TIPS (CONTINUED)

IMPORTANT: Do not rinse the EZ-Clean Membrane™ horizontally under running water. (See WARNING section)

If these steps fail to restore water flow, replace EZ-Clean Membrane™.

- A) Fill a container with filtered or treated water and add 1 Micropur Tablet. (If not available, use 4 drops of ordinary household bleach.)
- B) Pour the solution into the Hydrapak® Softflask™. Close the system by screwing the filter cap (with EZ-Clean Membrane™) clockwise.
- C) Hang your Katadyn BeFree and allow the entire amount of solution to run through EZ-Clean Membrane™ (into sink or container) to disinfect filter, hoses, Hydrapak® Softflask™ etc.

Disinfect your Katadyn BeFree™ before storage to prevent microbiological growth within the filter system.

D) Trapped air in the EZ-Clean Membrane™ may also reduce flow rates. Fill the Hydrapak® Softflask™ with a small amount of fresh water, close the system and disconnect output hose. Shake the system, reconnect output hose and squeeze the Hydrapak® Softflask™ until the air goes through the EZ-Clean Membrane™.

8 LONG TERM STORAGE (CONTINUED)

D) Disassemble all components, rinse them with filtered or treated water and allow them to air dry completely.

E) Reassemble the system and store inside carry bag.

Note: When removing the Katadyn BeFree™ from long-term storage, flush the system with 2 liters of filtered or treated water to remove any stale tasting water.

IMPORTANT: Do not rinse the EZ-Clean Membrane™ horizontally under running water. (See WARNING section)

8 LONG TERM STORAGE (CONTINUED)

6 FILTER CARTRIDGE CAPACITY & REPLACEMENT

The life span of the EZ-Clean Membrane™ depends on water quality. To extend life of your EZ-Clean Membrane™, clean it regularly. For optimum filter performance replace the EZ-Clean Membrane™ after 1000 liters or 264 gallons or if water flow has slowed or stopped (review Performance Tips to ensure best product performance).

Replacement EZ-Clean Membrane™ Installation
 Katadyn BeFree™ Replacement EZ-Clean Membranes™ are available from the dealer where you purchased your Katadyn BeFree™. To replace your EZ-Clean Membrane™ twist it in a counter-clockwise motion and remove the EZ-Clean Membrane™ from the Hydrapak® Softflask™. Install new EZ-Clean Membrane™ by screwing it into the Hydrapak® Softflask™ in a clockwise motion.



KATADYN®
 MAKING WATER DRINKING WATER

Katadyn Gravity BeFree™ 3.0L

EN

KATADYN GROUP

Log on to our website to learn more about our full line of products including Katadyn, Optimus Stoves and Trek'n Eat Foods.

www.katadyn.com
www.optimusstoves.com
www.trekneat.com
www.spectrawatermakers.com

Katadyn Products Inc.
 Pfäffikerstrasse 37
 8310 Kempthal
 Switzerland
 Phone: +41 44 839 21 11
 customerservice@katadyn.ch

Print No. 8019843/0

11 PRODUCT REGISTRATION & SPECIFICATIONS

Please take a moment to register your new Katadyn product by completing the short product registration form online at www.katadyn.com. The information you provide will enable us to better serve you with products developed to meet your needs and interests.

Please register your Katadyn product online at www.katadyn.com (under **service section**) and you will be automatically entered into a drawing to win a free Katadyn Group product. We will keep you informed of new products from Katadyn, Optimus and our dehydrated food brands (see our website for more details).

12 PRODUCT SPECIFICATIONS

Flow Rate:	Up to 2L of water per minute
Filter Capacity:	Up to 1,000L, depending on water quality
Weight:	192 g
Dimensions:	23 x 7.5 x 44.7 cm

10 KATADYN BEFREE™ LIMITED WARRANTY (CONTINUED)

E) How to get service
 To receive coverage under this warranty, please return your Katadyn BeFree™ to the retailer where you purchased the product for repair or replacement. If you are not completely satisfied with the service you receive from your retailer, or if you have any questions regarding this warranty, please contact Katadyn Customer Service by telephone, email or in writing at:

Katadyn Products Inc.
 Pfäffikerstrasse 37
 8310 Kempthal
 Switzerland
 Phone: +41 44 839 21 11
 customerservice@katadyn.ch

F) How state law applies
 This warranty gives you specific legal rights. You may also have other rights which vary from state to state.

10 KATADYN BEFREE™ LIMITED WARRANTY

2 YEAR LIMITED WARRANTY on Katadyn BeFree™

A) What is covered
 Your Katadyn BeFree™ is warranted to be free from defects in materials and workmanship.

B) How long warranty coverage lasts
 This warranty lasts two years from the date of purchase of your Katadyn BeFree™. All implied warranties under state law are also limited to two years from the date of purchase. Some states do not allow limitations on how long an implied warranty lasts, so the above limitation may not apply to you.

C) What Katadyn will do
 In the event of a defect in material or workmanship within the two-year warranty period, Katadyn will either repair or replace your Katadyn BeFree™, at Katadyn's sole discretion.

D) What is not covered
 This warranty does not cover any damage caused by product misuse, abuse or failure to follow instructions provided herein for proper use, maintenance, cleaning or storage. This warranty also does not cover, and expressly excludes coverage for, any incidental or consequential damages arising out of the purchase, use or performance of the product. Some state laws do not allow exclusion or limitation of incidental or consequential damages, so the above exclusion or limitation may not apply to you.

2 WARNINGS

Using the Katadyn BeFree™ improperly or drinking untreated water can result in exposure to harmful microorganisms and an increased risk of diseases. Reduce your risk of becoming sick by following the warnings and instructions in this manual and by educating yourself on backcountry/travel illness prevention. YOU ARE RESPONSIBLE FOR YOUR OWN SAFETY AND THOSE IN YOUR GROUP. PLEASE USE GOOD JUDGEMENT.

Improper use of the Katadyn BeFree™ or use of a damaged or contaminated EZ-Clean Membrane™ expose you to harmful microorganisms and increase your risk of contracting a gastrointestinal illness. Read this entire manual before assembling or using the Katadyn BeFree™ and follow all instructions carefully. If you have any questions, contact Katadyn at +41 44 839 21 11 or email us at customerservice@katadyn.ch or visit our website at www.katadyn.com

- The Katadyn BeFree™ does not remove viruses.
- Never use the Katadyn BeFree™ to filter seawater or brackish water or chemically contaminated water, such as water from mine tailing ponds or near large agricultural operations. The Katadyn BeFree™ does not make drinkable water from these sources and does not remove chemicals and radioactive materials or particles smaller than 0.1 microns.
- Do not use in freezing conditions (a frozen EZ-Clean Membrane™ could lead to microorganism bypass, resulting in illness)
- Improper threading of the cap to the Hydrapak® SoftFlask™ could cause fluid leakage and result in illness.
- Do not hold or squeeze the EZ-Clean Membrane™ with your hand while opening or closing the Katadyn BeFree™ (as showing in the diagram on the next page). Carefully hold the thread of the flask (under the bail handle) when opening or closing the Katadyn BeFree™, allowing the EZ-Clean Membrane™ to rotate freely inside the flask. Holding or squeezing the EZ-Clean Membrane™ while opening or closing the Katadyn BeFree™ could result in damage or breakage to the filter membrane, thus compromising/damaging the filter (which could allow harmful microorganisms to bypass the filter, leading to illness).

2 WARNINGS (CONTINUED)



Do not hold or squeeze the EZ-Clean Membrane™ with your hand while opening or closing the Katadyn BeFree™



Do not rinse the EZ-Clean Membrane™ horizontally under running water – doing so may destroy the hollow fibers



Do not touch the hollow fibers with a tool or with your fingers.



2 WARNINGS (CONTINUED)

- If the Katadyn BeFree™ has been dropped into a fresh water source, follow instructions for long term storage to completely disinfect filter before use. If the Katadyn BeFree™ is damaged or contaminated, do not use.
- Do not allow fresh water to contaminate the output parts (female quick connect and top of the EZ-Clean Membrane™).
- To minimize risk, when filtering water, do not splash dirty or fresh water on the filter cap. Do not drink directly from the output hose.
- Dry off outside of Hydrapak® Soft Flask™ and output hose to avoid fresh water running down bag/hose into your water container.
- Do not filter any substance or liquid other than fresh water through your Katadyn BeFree™ or the EZ-Clean Membrane™ may become damaged or contaminated.
- Before long term storage, disinfect the EZ-Clean Membrane™ thoroughly to prevent growth of mold, mildew and bacteria which could cause illness (see Long Term Storage)
- Do not use dishwasher or microwave to disinfect the EZ-Clean Membrane™ or the filter cap. Doing so will damage or melt the parts from high heat. The Hydrapak® Soft Flask™ can be put in the dishwasher on the top rack.
- Always seek the best fresh water source available.
- Always handle the Katadyn BeFree™ filter carefully.
- Extend your filter's lifespan by using one of the following EZ Clean options: SHAKE or SWISH every 5 liters (see Performance Tips).
- On extended trips, bring along a Katadyn Replacement EZ-Clean Membrane™.
- READ, UNDERSTAND AND FOLLOW ALL instructions and warnings in this manual before using the Katadyn BeFree™. Failure to follow all warnings and instructions may result in exposure to harmful microorganisms and illness.

3 IMPORTANT SAFETY MESSAGE

Read before using Katadyn BeFree™

When you travel abroad, camp or backpack, you run the risk of illness ranging from the inconvenience and discomfort of diarrhea to more serious illnesses caused by protozoan cysts (i.e., Giardia, Cryptosporidium), viruses and bacteria.

The microorganisms that cause these diseases are often found in the food and water you consume.

Lakes, rivers, streams and the local water supply may also be contaminated. To minimize the risk of contracting these illnesses, we suggest that you consult with your physician, state health department or travel clinic 4-6 weeks before you depart.

And while you are traveling, make sure that prepared food is thoroughly cooked according to its specified instructions. Select non-cooked foods (fruits, nuts, etc.) that have intact shells or skins, and always sanitize your hands properly before peeling the food. Wash your hands with soap and warm water thoroughly and often (and use hand sanitizer), especially before you eat or prepare food. Also, in groups encourage everyone to wash their hands frequently. Microorganisms can spread to communal gear from one group member not sanitizing their hands properly. Do not share personal items (i.e. lip balm, eating utensils, toothbrushes, water bottles or bite-valves on hydration bladders). Make sure all food is properly prepared and thoroughly cooked. Filter all drinking water with your Katadyn BeFree™, including water used for brushing teeth, washing your face, etc. according to the instructions in this manual.

If there is any risk of viruses in the water, use an EPA-registered disinfectant such as Katadyn Micropur MP1 Purification Tablets or Micropur Forte (MF 100F), in combination with the Katadyn BeFree™ (Note: Follow all instructions for proper use of Micropur MP1 or Micropur Forte (MF 100F) and wait the appropriate treatment time) or boil your water (must bring to a rolling boil for approx. 1 minute) (Note: The Katadyn BeFree™ does not remove viruses).

4 KEY COMPONENTS IN SYSTEM

- (1) Hydrapak® SoftFlask™
- (2) EZ-Clean Membrane™ (hollow fiber)
- (3) Filter Cap with built-in Female Quick Connect
- (4) Bail Handle
- (5) Handle
- (6) Hang/Carry Strap
- (7) Output Hose
- (8) On/Off Output Hose Valve
- (9) Male Quick Connect

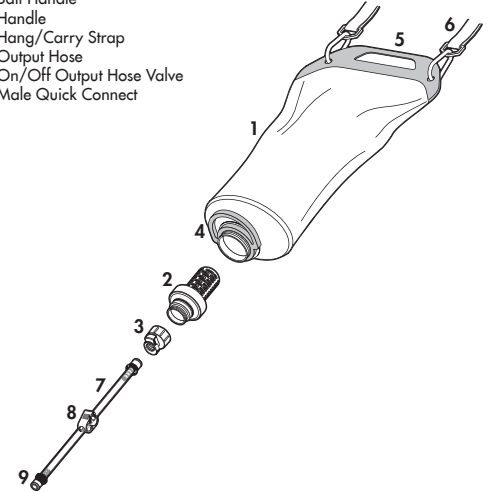


Figure (1) Key Components

5 PRODUCT SETUP

The Katadyn BeFree™ requires minimal setup. For best results, try out the product before first use and familiarize yourself with its operation.

1. Assemble the Katadyn BeFree™ as shown in figure 1.
2. Flush system by running filtered or treated water through the EZ-Clean Membrane™ (hollow fiber) to remove harmless particles and dust. See following section on Normal Operation on how to filter water.

6 NORMAL OPERATION

- A) Open the system by holding it at the thread of the Hydrapak® Soft Flask™ (under the bail handle) and unscrew the EZ-Clean Membrane™ counter-clockwise (blue ring) (see figure 2).

IMPORTANT: Do not hold or squeeze the EZ-Clean Membrane™ with your hand while opening or closing the Katadyn BeFree™

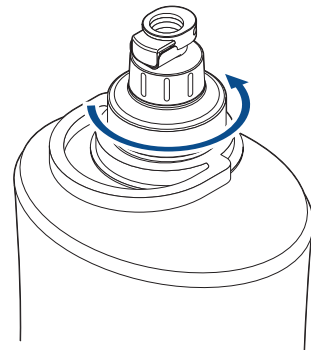


Figure (2) Opening

6 NORMAL OPERATION (CONTINUED)

- B) Fill the Hydrapak® Soft Flask™ with fresh water (not salt or brackish water) from the best water source available (such as clear lakes, rivers, streams, faucets or fountains). Use the handle and/or bail handle to fill the Hydrapak® Soft Flask™ (see figure 3).

IMPORTANT: Dry off outside of Hydrapak® Soft Flask™ and output hose to avoid fresh water running down flask/hose into your water container.

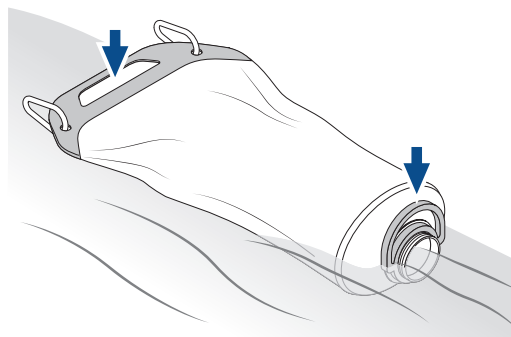


Figure (3) Filling

6 NORMAL OPERATION (CONTINUED)

- C) Close the system by screwing filter clockwise onto the Hydrapak® Soft Flask™ ensuring a proper thread seal and avoiding cross-threading which could lead to bypass, ensuring a tight seal (see figure 4).

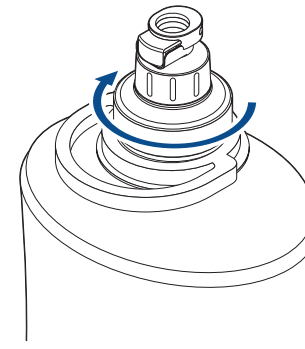


Figure (4) Closing

6 NORMAL OPERATION (CONTINUED)

- D) Elevate Hydrapak® Soft Flask™ in convenient location. For best flow, position the filter in an upright position and hang from the highest possible location. (see figure 5).

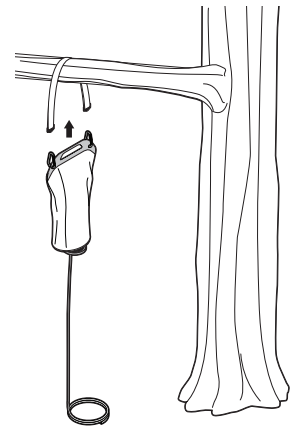


Figure (5) Elevating

- E) Close the on/off output hose valve. Connect the output hose to the female quick connect at the filter cap (this will initiate water flow into the output hose). Open on/off output hose valve to begin water flow. Let the water flow into a water container, drink bladder or similar. Close on/off output hose valve to stop water flow. Ensure on/off output hose valve is in wide open position (not pinching hose whatsoever) while filtering to ensure maximum flow rate.